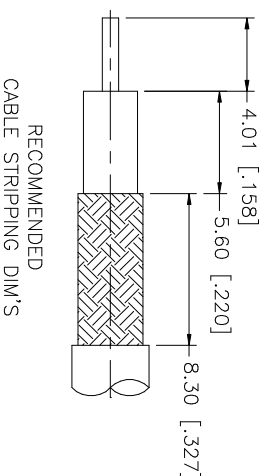
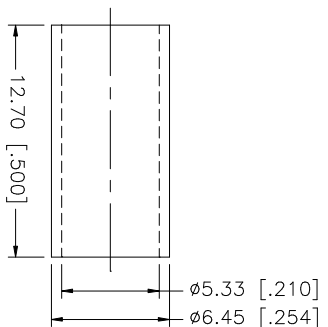
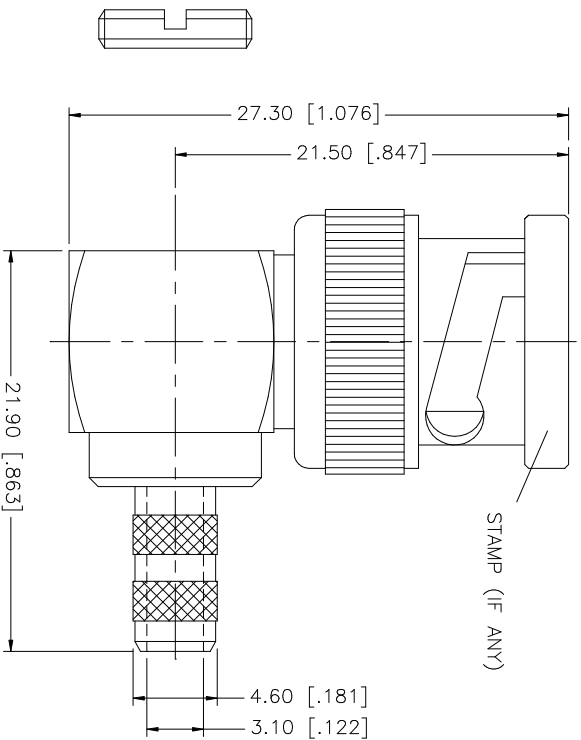


REV.	DATE	DESCRIPTION
NC	02/15/03	INITIAL RELEASE



NOTE:
1. CRIMPED FERRULE
HEX CRIMP SIZE .213"
2. CENTER CONTACT TO SOLDER

QTY	FINISH	MATERIAL	DESCRIPTION
1	NICKEL	BRASS	NUT
1	NICKEL	COPPER	FERRULE
1	GOLD	BRASS	CONTACT PIN
1	NATURAL	DELRI	INSULATOR
1	NICKEL	BRASS	BODY

APPROVALS	DATE
DRAWN G.R.S.	02/15/03
CHECKED	
ISSUED	
SHEET 1 OF 1	

UNLESS OTHERWISE SPECIFIED DIMENSIONS ARE IN MILLIMETERS. DIMENSIONS IN [] ARE IN INCHES AND FOR CUSTOMER REFERENCE ONLY. TOLERANCES FOR MILLIMETERS ARE:	UNLESS OTHERWISE SPECIFIED DIMENSIONS ARE IN INCHES. DIMENSIONS IN [] ARE IN MILLIMETERS. DIMENSIONS IN [] ARE IN INCHES AND FOR CUSTOMER REFERENCE ONLY. TOLERANCES FOR INCHES ARE:
0.5 - 8mm ± 0.20mm	.020 - .315 = ± 0.007"
8 - 30mm ± 0.40mm	.315 - 1.180 = ± 0.015"
30 - 120mm ± 0.50mm	1.180 - 4.724 = ± 0.020"

DO NOT SCALE DRAWING	CAD FILE	DWG. NO.	REV.	SIZE	SCALE
	C:/112/112162.DWG	112162.DWG	NC	A	NA

PART DESCRIPTION	PART NO.
BNC R/A CRIMP PLUG (FOR RG-58/U, 141/U CABLE)	112162

Amphenol Connex